



**STOVAX**  
*Fire Your Imagination*

# Classic Fireplaces

Solid Fuel and Gas

# *Traditional style*

WITH A MODERN SLANT



**STOVAX**  
*Fire Your Imagination*

# CLASSIC FIREPLACES

Whether you want to restore a period house to its former glory, or create an authentic look for a modern home, let Stovax's Classic Fireplaces inspire you.



From the gracefulness of the early 1800s to the exuberance of Art Nouveau, our cast iron fireplaces add warmth and elegance to any room or living space.

You don't even have to have a chimney, because we can combine traditional design and today's technology with a realistic Gazco gas fire.

And with our latest Convector fireplaces, you can benefit from heating that is twice as efficient as an open fire.



INSERTS,  
CONVECTORS  
& FRONTS 6-39



FIRE BASKETS 42-43



LONDON  
CAST FRONTS 44-49



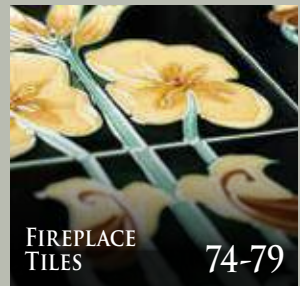
CAST IRON  
MANTELS 50-55



STONE  
MANTELS 56-65



WOOD  
MANTELS 66-73



FIREPLACE  
TILES 74-79

# YOUR FIREPLACE CHOICES EXPLAINED

## CRAFTSMANSHIP IN CAST IRON



All Stovax Classic Fireplaces illustrated in this brochure take their inspiration from 19th Century designs. We also pride ourselves on the fact that each remains an individual masterpiece, authentically hand-cast to the same specification as Georgian and Victorian originals, and extensively finished to display a wealth of intricate detail.

In several cases, however, we have added a modern slant to the designs to make them even more appropriate for today's lifestyles so there are now three types of fireplace from which to choose:

## INSERT FIREPLACES

Insert fireplaces are so called because they have built-in firebacks and are designed to be inserted into chimney openings measuring approximately 36" x 36" (915 x 915mm) or larger. In appearance, these can be either completely cast or cast with slots for decorative tiles. The former are generally earlier designs whilst cast iron fireplaces incorporating two vertical ceramic panels became particularly fashionable from the mid-1880s onwards.



## CONVECTOR FIREPLACES

By making discreet alterations to three designs of Tiled Insert, Stovax have created traditional looking fireplaces that allow you to enjoy the added efficiency and economy of convected heat whether using solid fuels or a gas fire. It is not surprising, therefore, that these are amongst the most popular models in this brochure.

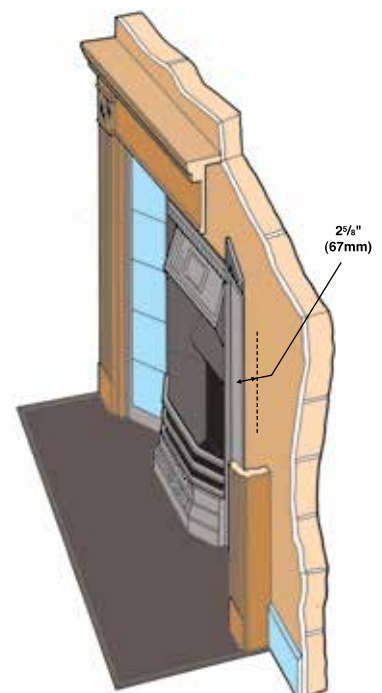
The convector fireplace draws cool air through the grate, heats it in a specially-developed convection chamber and diffuses it into the room through an unobtrusive outlet above the hood. The result is a heating efficiency twice that of a traditional open fire!

## FIREPLACE FRONTS

Unlike an insert fireplace, which is complete with a fireback and grate, a front is literally that.

Cast fronts came to the fore in the Hanoverian era and were designed to reduce, obscure or embellish a larger chimney opening. A fire basket is usually placed behind the front.

Tiled fronts, on the other hand, were developed by Stovax to allow the Victorian style of fireplace to be installed against a 22" high x 16" wide chimney opening with Milner tapered firebrick. Many homes constructed between the 1920s and 1980s, and some built since, have this type of chimney. To maintain the authentic look, the tiles are positioned at a slight angle to the face of the fireplace. This means that it stands forward of the chimney breast by 2<sup>5</sup>/<sub>8</sub>" (67mm). Most wooden and stone mantels (shown on pages 56-73) have a rebate which can be adjusted to suit this depth.



## TRADITIONAL FINISHES

Every Stovax Classic Fireplace is available in traditional matt black. In addition, many models are offered with the option of polishing, a skilled and authentic period technique which shows off intricate decorative detailing to quite stunning effect. According to the design, the finish may be either highlight polished or fully polished.

## TILE OPTIONS

All Stovax tiled fireplaces are supplied complete with your choice of 10 tiles from the wide selection illustrated on pages 74-79. However, there is a small supplementary charge if you prefer the particularly impressive, hand decorated tube-lined tiles shown on page 75.



## STONE MANTEL OPTIONS

Stovax offer an excellent selection of mantels to complement the Classic Fireplaces. In a choice of six historic designs from Georgian and Victorian times, each beautifully carved solid stone mantel can be made in your choice of Limestone or Antique White Marble.

## WOOD MANTEL OPTIONS

The Wood Mantels range from Stovax offers you an exceptionally large choice of handcrafted mantels, available in 16 different styles which are perfectly matched with 13 different finishes.

## GAS FIRE OPTIONS

Most Stovax Classic Fireplaces and classically styled fire baskets are available with the convenience of a gas fire. These are supplied by Gazco Ltd, one of the UK's leading fireplace manufacturers and a member of the Stovax Group. Your options will vary according to the type of fireplace you are considering:

### INSERT FIREPLACES

*Gas fires:* specially designed for each individual insert, these highly realistic fires provide a superb combination of flames and glow. They also come with the option of a Command remote control which adjusts the flame height and heat output.

### FIREPLACE FRONTS

*Gas fires:* a wide selection of fire baskets are available from Gazco and these can be fitted to order with either a coal or log-effect gas fire. Most also have the option of Command remote control.

### CONVECTOR FIREPLACES

*Gas fires:* there are coal-effect, convector gas fires to suit most types of chimney or no chimney at all. All versions offer exceptional realism and efficient heating as well as the option of a Command remote control.

### FIRE BASKETS

*Gas fires:* in addition to Solid Fuel, most fire baskets are also offered with gas fires that feature a choice of coal-effect, log-effect or dirtwood-effect fuel option with up to 3kW heat output.

---

Further information on gas fires is available from your retailer. You can view the complete range or obtain a brochure by visiting [www.gazco.com](http://www.gazco.com).



4386HP Classical Arched Insert, highlight polished. Also shown: 9004VIWM Victorian Corbel, antique white marble mantel.



# INSERTS, CONVECTORS & FRONTS

Stovax have worked for nearly 30 years to perfect the ideal combination of 19<sup>th</sup> Century designs and 21<sup>st</sup> Century technology. These authentically hand-cast fires are painstakingly built to replicate the Georgian and Victorian originals, whilst also offering you choices such as Convector, Gas and Electric options. The best of three eras in one.

<i>Victorian tiled convectors</i>	8-9	<i>Combination tiled inserts</i>	24-25
<i>Victorian tiled inserts</i>	10-11	<i>Classical Arched inserts</i>	26-27
<i>Victorian tiled fronts</i>	12-13	<i>Decorative Arched inserts</i>	28-31
<i>Art Nouveau tiled convectors</i>	14-15	<i>Alexandra inserts</i>	32-33
<i>Art Nouveau tiled inserts</i>	16-17	<i>Adelaide inserts</i>	34-35
<i>Art Nouveau tiled fronts</i>	18-19	<i>Horseshoe inserts</i>	36-37
<i>Poppy and Wheatsheaf tiled front</i>	20-21	<i>Regency Hob Grate inserts</i>	38-39
<i>Combination convectors</i>	22-23	<i>Kensington &amp; Knightsbridge inserts</i>	40-41

# VICTORIAN TILED CONVECTORS



This fireplace represents the ultimate marriage between traditional style and modern efficiency.

Timelessly elegant, the period design has been so subtly revised that you will hardly notice. What you will appreciate, however, is the added economy of convected heat whether using solid fuels or a Gazco living flame gas fire.

Choose from traditional matt black, highlight polished or fully polished finishes.



Beautiful cast panels are an elegant alternative to tile sets. For more information, please see page 22.



Victorian Tiled Convecting, matt black  
4348 Solid fuel 4262 Gas



Victorian Tiled Convecting, highlight polished  
4349 Solid fuel 4263 Gas



Victorian Tiled Convecting, fully polished  
4354 Solid fuel 4355 Gas





4348 Victorian Tiled Convector Fireplace in matt black with 2 x 4597 Blue Iris 5-tile sets.  
Also shown: 4270 Georgian white mantel. 5300 Toolset.



4268 Victorian Tiled Insert in matt black with 2 x 4057 Plant & Urn 5-tile set and 4779 Plant & Urn 2-tile set.

Also shown: 4270 Georgian white mantel. 4075 Victorian cream field tiles. 4863 RE edge tiles. 4864 REX corner tiles.

# VICTORIAN TILED INSERTS



Floral Hood



Classical Hood



Tiled Hood

Rich in authentic detail, the Stovax Victorian Tiled Insert fireplace is based on an original design dating from around 1885. It is available in traditional matt black, highlight polished and fully polished versions with a choice of two superbly cast, decorative hoods or a tiled hood, the latter being a typical feature of the period.

This fireplace is suitable for burning solid fuels or can be supplied with a gas fire.



4268 Victorian Tiled Insert, matt black



4561 Victorian Tiled Insert, matt black with brass Classical hood



4045 Victorian Tiled Insert, highlight polished



4356 Victorian Tiled Insert, fully polished

Beautiful cast panels are an elegant alternative to tile sets. For more information, please see page 22.



# VICTORIAN TILED FRONTS



Floral Hood



Classical Hood



Tiled Hood

Even if your house has a modern 22" high x 16" wide (560 x 405mm) chimney opening with a Milner tapered firebrick, you can install a Victorian tiled fireplace with a Stovax front. Once in place, it is virtually indistinguishable from a full insert and is available with exactly the same choice of finishes, hood styles and tiles.

A 16" tapered fire grate for use with solid fuels is an optional extra.



4565 Victorian Tiled Front\*,  
matt black



4566 Victorian Tiled Front\*,  
matt black



4569 Victorian Tiled Front\*,  
highlight polished



4573 Victorian Tiled Front\*,  
highlight polished with Classical brass hood

Beautiful cast panels are an elegant alternative to tile sets. For more information, please see page 22.



For complete model choices, options and product codes please see pages 80-85.

For details of complementary mantels and tiles please see pages 50-79.

\* Shown with milner firebrick (not supplied)



4567 Victorian Tiled Front, highlight polished and 2 x 4057 Plant and Urn 5-tile sets.

Also shown: 4177K Chatsworth rich oak mantel. 4075 Victorian Cream field tiles. 4883/4884 RE Border tiles. 4882 REX Corner tiles.



4352 Art Nouveau Convector Fireplace with fully polished finish and 10 x 4921 Purple flag tiles. For gas version select 4353.  
Also shown: 3567W Pembroke white mantel.

# ART NOUVEAU TILED CONVECTORS



Beautiful cast panels are an elegant alternative to tile sets. For more information, please see page 22.

Ingeniously adapted to bring you the greater efficiency of convector heating, this fireplace otherwise remains a splendid reflection of the *Belle Epoch* and the creative influence of artisans such as Galle, Tiffany and Lalique.

Choose from solid fuel or gas fire versions and traditional matt black, highlight polished or fully polished finishes, as well as options such as the cast brass hood (solid fuel convector only) and a host of matching tiles.



Art Nouveau Tiled Convector, matt black  
4350 Solid fuel 4264 Gas



Art Nouveau Tiled Convector, matt black  
with brass hood  
4664 Solid fuel NB. Not available for gas



Art Nouveau Tiled Convector, highlight polished  
4351 Solid fuel 4265 Gas  
4665 Solid fuel with brass hood



Art Nouveau Tiled Convector, fully polished  
4352 Solid fuel 4353 Gas

# ART NOUVEAU TILED INSERTS



Art Nouveau Tiled Insert - Gas version



Beautiful cast panels are an elegant alternative to tile sets. For more information, please see page 22.

With all the exuberance of 19th Century *fin de siècle* style, the Stovax Art Nouveau insert fireplace captures the era's flowing design motifs to perfection and, whether you choose a traditional matt black or highlight polished version, the colourful Alphonse Mucha tile sets or magnificent tube-lined tiles provide the definitive finish. For the ultimate panache, opt for the cast brass hood which can be fitted to either model.

The slender vertical front bars, which were very popular on fireplaces of the period, have been retained in the setting shown left. They are used with gas fires, but an alternative version (opposite) is offered with horizontal cast iron bars for better fuel and ash retention when burning logs, coal or smokeless fuel.



Art Nouveau Tiled Insert, matt black  
4161 Solid fuel 4159 Gas



Art Nouveau Tiled Insert, matt black with  
brass hood 4902 Solid fuel 4900 Gas



Art Nouveau Tiled Insert, highlight polished  
4162 Solid fuel 4160 Gas



Art Nouveau Tiled Insert, highlight polished with  
brass hood 4903 Solid fuel 4901 Gas





4161 Art Nouveau Tiled Insert, matt black, with black hood and 4476/4477 Alphonse Mucha Nocturnal Slumber 5-tile sets.  
Also shown: 4298 Georgian Cast Iron mantel, matt black. 5609 Toolset.



4575 Art Nouveau Tiled Front 4476/4477 Alphonse Mucha Nocturnal Slumber 5-tile sets.

Also shown: 4786 Carlton rich oak mantel with 8202MCUC coal-effect gas fire from Gazco.

# ART NOUVEAU TILED FRONTS



Like the Victorian tiled front, the Art Nouveau fronts have been developed by Stovax to suit the 22" high x 16" wide (560 x 405mm) chimney opening of a modern home. Accordingly, this version retains all the features of a full insert – richly detailed castings, choice of tiles and finishes as well as a brass hood option – but can be installed against the chimney breast using a mantel with a 3" (75mm) rebate.

There are two versions of the Art Nouveau front – one for a gas fire and one for use with solid fuels. The latter also has the option of a tapered fire grate.

Beautiful cast panels are an elegant alternative to tile sets. For more information, please see page 22.



Art Nouveau Tiled Front, matt black\*  
4575 Solid fuel 4574 Gas



Art Nouveau Tiled Front, highlight polished  
with brass hood\* 4581 Solid fuel 4580 Gas



Art Nouveau Tiled Front, highlight polished\*  
4577 Solid fuel 4576 Gas

NB: Gas version illustrated above

For complete model choices, options and product codes please see pages 80-85.

For details of complementary mantels and tiles please see pages 50-79.

\* Shown with milner firebrick (not supplied)

# POPPY & WHEATSHEAF TILED FRONT



This is a classically-styled Victorian fireplace that takes advantage of Stovax's 'front' concept and the latest production techniques to create a one-piece casting (with the exception of the bars and ashpan cover) that is quicker and simpler to install.

Central to the appeal of this design is the beautifully detailed poppy and wheat sheaf motif which features on the hood, but the slim column uprights evoke period charm with equal delight. Finished in traditional matt black only, the Poppy and Wheat sheaf tiled front can be specified with an optional gas fire.

Beautiful cast panels are an elegant alternative to tile sets. For more information, please see page 22.



4223 Poppy and Wheat sheaf Tiled Front\*,  
matt black



4223 Poppy & Wheat sheaf Tiled Front with 2 x 4058 Poppy and Wheat sheaf 5-tile sets.

Also shown: 4169 Regency lacquered antique pine mantel. 4371 Burgundy field tiles. 4873 RE tiles. 4874 REX tiles.

# COMBINATION CONVECTORS



Highly popular more than 100 years ago due to its compact size and the combining of a fireplace and mantel in one unit, this 21<sup>st</sup> Century version has been cleverly altered to provide you with the convenience and heating efficiency of a convector gas fire. You can even adjust the flames and heat from the comfort of your armchair when you opt for the Command remote control!

Choose from traditional matt black or highlight polished finishes.



4362 Combination Convector,  
matt black



4363 Combination Convector,  
highlight polished

## CAST PANELS

With their delicate patterns and pictures, these beautiful cast panels offer an elegant alternative to tile sets for selected classic Fronts, Inserts and Convector. The two designs are available in matt black. Those illustrated have been polished with Stovax Traditional Black Grate Polish. Additionally, the Urn Design is available in a polished finish.



4256 Boy and Girl



4402 Urn Design



4402HP Urn Design,  
polished



4363 Combination Convactor Fireplace, highlight polished.

Also shown: 4402HP Set of Urn Design polished cast panels and 8420UCVFC Logic Convactor, coal-effect fire from Gazco.



4359 Combination Tiled Insert, matt black, with 2 x 4057 Plant & Urn 5-tile set.



# COMBINATION TILED INSERTS

---



Based on an original design dating from 1895, the popular fireplace combines both insert and mantel in a single unit. It is, therefore, very easy to install and saves the additional expense of a separate mantel, whilst compact dimensions make it particularly suitable for smaller chimney breasts.

The Combination tiled insert is available in traditional matt black and highlight polished versions and can be fitted with an optional gas fire.

---

Beautiful cast panels are an elegant alternative to tile sets. For more information, please see page 22



4359 Combination Tiled Insert,  
matt black



4360 Combination Tiled Insert,  
highlight polished



4386HP Classical Arched Insert, highlight polished. Also shown: 9004VIWM Victorian Corbel, antique white marble mantel.

# CLASSICAL ARCHED INSERTS

---



Originally created around 1880, the Classical Arched insert has become an icon of timeless design that is just as appropriate for 21<sup>st</sup> Century décor as it was for period homes. The elegant, understated lines can be complemented by either the cleaner look of contemporary mantels or the charming decorative detail of an Adam, Regency or beautiful stone mantel.

The Classical Arched Insert is available in three finishes: traditional matt black, highlight polished and fully polished. A gas fire option is available.



Cast relief baffle – the baffle plate to the rear of the fire features an attractive coat of arms motif. When burning solid fuels, this baffle can be closed when the fire is not in use. If a gas fire is fitted, however, regulations require the baffle to be permanently secured in the open position.



**4386** Classical Arched Insert,  
matt black



**4386HP** Classical Arched Insert,  
highlight polished



**4387** Classical Arched Insert,  
fully polished

# DECORATIVE ARCHED INSERTS

---



The Decorative Arched Insert pre-dates the Classical model by some 30 years, having been designed around the time of the Great Exhibition in 1851. Accordingly, it incorporates elements of Greek and Roman detailing which were frequently adopted as ornamentation, itself a reflection of Britain's growing sense of grandeur and Empire.



Cast relief baffle – the baffle plate to the rear of the fire features an appealing fan-shape motif within an outer linked chain design. When burning solid fuels, this baffle can be closed when the fire is not in use. If a gas fire is fitted, however, regulations require the baffle to be permanently secured in the open position.



**4389** Decorative Arched Insert,  
matt black



**4389HP** Decorative Arched Insert,  
highlight polished



**4390** Decorative Arched Insert,  
fully polished



4389 Decorative Arched Insert, matt black. Also shown: 9001GEWM Georgian Roundel, antique white marble mantel.

# DECORATIVE ARCHED INSERTS

---



4389 Decorative Arched Insert, matt black. Also shown: 3567W Pembroke white lacquered mantel.



4390 Decorative Arched Insert, fully polished



4390 Decorative Arched Insert, fully polished. Also shown: 4043AP Georgian lacquered antique pine mantel.

# ALEXANDRA INSERTS



Ashpan cover – Stovax have designed the Alexandra's ashpan cover to reflect the embellishment incorporated into the fireplace. This cover will hide the ashpan (if used).

With its restrained elegance reminiscent of the late Edwardian era, the Alexandra Insert is a beautiful cast iron fireplace. Finished in your choice of Matt Black, Highlight Polished or Fully Polished, the design incorporates authentic hand-cast detailing and a graceful curving arch.



4440 Alexandra Insert, matt black



4440FP Alexandra Insert, Polished



4440HP Alexandra Insert, Highlight Polished





4440 Alexandra Insert, matt black. Also shown: 9002CLTL Claremont limestone mantel.

# ADELAIDE INSERTS



Ashpan cover – the original fireplace was produced without an ashpan cover. However, Stovax have designed one to reflect the embellishment incorporated into the fireplace. This cover will hide the ashpan (if used) or the gas controls (if a gas fire is installed).

Named after the queen’s consort to William IV, the Adelaide is based on a model that originates from 1837. It is available in traditional matt black or polished finishes and features a particularly large grate which makes it ideal for burning logs.

There are two versions: the original and a slightly revised model that has a matching ashpan cover. The latter is also suitable for use with a gas fire.



**4247 Adelaide Insert** without ashpan cover, matt black.  
Also available in Polished - see image on page 59  
(NB. The original version is not suitable for use with a gas fire).



**4248 Adelaide Insert** with ashpan cover, matt black



**4250 Adelaide Insert** with ashpan cover, Polished



**4248BRS Adelaide Insert** with ashpan cover, Brass highlight polished



4250 Adelaide Insert, fully polished, with ashpan cover. Also shown: 4297 Georgian fully polished mantel.



4092 Horseshoe Insert, matt black with ashpan cover. Also shown: 9004VIWM Victorian Corbel, antique white marble mantel. 5221 Chrome/Black toolset.

# HORSESHOE INSERTS



Incorporating gentle curves and impressive detailing, the Horseshoe Insert was originally designed circa 1842. Today, Stovax manufactures this model in three distinctive and authentic finishes: traditional matt black, highlight polished and fully polished. It is also available in the original version or with a slightly revised front that accommodates an ashpan cover.



Ashpan cover – the original fireplace was designed to allow the ash to fall directly onto the hearth. As a more convenient option, Stovax have designed a revised version of the fireplace with a complementary ashpan cover featuring matching detail and finishes. This will allow the ashpan (if used) or the gas controls (if a gas fire is installed) to be hidden from view.



4092 Horseshoe Insert with ashpan cover,  
matt black



4219 Horseshoe Insert with ashpan cover,  
highlight polished



4258 Horseshoe Insert with ashpan cover,  
fully polished



4253 Regency Hob Grate, highlight polished. 4292 Ashpan cover. Also shown: 4177K Chatsworth rich oak mantel.

# REGENCY HOB GRATE INSERTS



Ashpan cover – the original fireplace did not have an ashpan cover, and ash fell freely onto the hearth. Stovax have therefore designed a matching ashpan cover to conceal the ashpan (if used) or the gas controls (if a gas fire is installed).

The Hob Grate Insert design in the Stovax Classic Fireplaces range was originally produced circa 1827, during the reign of George IV (formerly the Prince Regent). The ‘hobs’ either side of the grate were used for small saucepans and kettles, making this fireplace particularly appropriate for dining rooms as well as living rooms.

The Regency Hob Insert is available in traditional matt black or highlight polished with the options of an ashpan cover and gas fire.



4112 Regency Hob Grate Insert,  
matt black



4253 Regency Hob Grate Insert,  
highlight polished

# KENSINGTON & KNIGHTSBRIDGE INSERTS



**8907** Kensington Insert, polished. Also shown: **9005SATL** Sandringham, limestone mantel. Shown with a Gazco gas fire.

As a reaction to the overtly ornate style of the Baroque period, and influenced by Roman architecture seen during their 'Grand Tour', aristocratic Georgians developed a taste for what became known as Neo-Classical designs where elegance and symmetry became emblematic.

The Kensington and Knightsbridge Inserts characterise this era perfectly. The only difference is that today you can choose to have a gas fire complete with remote control if you do not wish to burn logs or coal.



**8906BLK** Knightsbridge Insert, matt black\*



**8907BLK** Kensington Insert, matt black\*

\* Shown with optional CE7409 firebrick.



**8906** Knightsbridge Insert, polished



**8907** Kensington Insert, polished





8906 Knightsbridge Insert, polished. Also shown: 4297 Georgian, fully polished mantel. 5516 Ironworks Log Holder.

# FIRE BASKETS

---

All our fire baskets are handcrafted using traditional materials such as brass, steel, chrome and cast iron. Every model can be adapted to house a coal, driftwood or log-effect gas fire. If you require further choice, then please see the Gazco Inset Fires brochure which will show you the full selection of fire baskets that offer up to 100 different combinations from which to select the perfect style for your fireplace, or visit our website at [www.stovax.com](http://www.stovax.com)



## Art Deco

Two sizes, in a choice of black cast iron or polished iron/steel.  
Small: 395 x 305 x 280mm (w x h x d)  
Medium: 520 x 305 x 280mm (w x h x d)



## Amhurst

Two sizes, in a choice of black cast iron or polished cast iron.  
Small: 395 x 330 x 275mm (w x h x d)  
Medium: 520 x 330 x 280mm (w x h x d)



## Milan

Two sizes in polished cast iron.  
Small: 601 x 305 x 378mm (w x h x d)  
Medium: 727 x 305 x 378mm (w x h x d)



## Ascot

One size, in a choice of brass or polished iron/steel.  
Dimensions: 735 x 355 x 405mm (w x h x d)



## Melbury

One size, choice of straight or bowed front in brass or polished iron/steel.  
Dimensions: 740 x 645 x 405mm (w x h x d)



## Kendal

One size, choice of straight or bowed front in brass.  
Dimensions: 900 x 660 x 430mm (w x h x d)



8901 Chelsea Polished cast front. Also shown: 3567WW Pembroke warm white mantel, Gas Ascot fire basket.



# LONDON CAST FRONTS

---

As the Georgian era developed, increasing numbers of the more wealthy landowners started to build or lease 'town houses' in London. The fireplace in these homes still retained its place as the focus of the room but was, of necessity, generally smaller than the grand, open chimneys incorporated into the 'ancestral seat'. Initially, the brick opening of the town house fireplace would contain an elaborate fire basket. Progressively, however, the addition of a cast front which could decrease, hide or improve the look of the opening became a typical feature.



8902 Belgravia Polished cast front with 8904 Polished insert panel. Also shown: 3565WW Brompton warm white mantel. Gazco Holyrood Logic Convector gas fire.

# LONDON CAST FRONTS



**8902BLK** Belgravia matt black cast front with **8904BLK** Matt Black insert panel.  
Also shown: **3567WW** Pembroke warm white mantel. Gazco Winchester Logic Hotbox gas fire.

Taking inspiration from period originals, Stovax has produced four masterpieces of casting to exemplify the London style.

All models are available in matt black or fully polished and are, therefore, equally suitable for use in some of today's contemporary settings.

An optional insert panel with 16" W x 22" H (405 x 560mm) or 22" W x 22" H (560 x 560mm) cut-out also allows you to use the Fronts with a modern chairbrick fireplace or a choice of Gazco Logic and E-Box™ gas fires.





8903 Burlington polished cast front with 8904 insert panel. Also shown: 9004VIWM Victorian Corbel, antique white marble mantel and Art Deco fire basket with optional ashpan cover.

# LONDON CAST FRONTS

---







8902 Belgravia, polished  
8902BLK Belgravia, matt black



8903 Burlington, polished  
8903BLK Burlington, matt black



8905 22" Insert, polished  
8905BLK 22" Insert, matt black



8908 Berkeley, polished  
8908BLK Berkeley, matt black

Please see page 86 for image of Berkeley London Cast Front



8901 Chelsea, polished  
8901BLK Chelsea, matt black



8904 16" Insert, polished  
8904BLK 16" Insert, matt black



8903 Burlington polished cast front with 8904 Polished insert panel. Also shown: 3567WW Pembroke warm white mantel.  
Gazco Logic Convector gas fire with Decorative frame and Holyrood front.



# CAST IRON MANTELS

---

Stovax have crafted a range of beautiful cast iron mantels to complement the classic fireplaces illustrated in this brochure. Designed specifically to epitomise the styles of their period, these exacting reproductions will add presence and grace to any 19<sup>th</sup> Century inspired interior.



4297 Georgian, fully polished mantel. Also shown: 8906 Knightsbridge Insert, polished. 5516 Ironworks Log Holder.

# CAST IRON MANTELS

Based on the popular Combination Fireplace which dates from around 1895, Stovax has produced an intricate and appealing mantel that is ideal for the smaller setting. It can be teamed with an appropriate insert or used with a more modern, 16" (405mm) wide fireplace opening to bestow a genuine Victorian look.

The magnificent William IV mantel certainly lives up to its regal name, with impressive proportions and a wealth of exquisitely detailed embellishment to add grace and refinement to any larger room. Combine with insert fireplaces or cast fronts to provide authentic period style. It has a 4" (100mm) rebate.



4750 Victorian Cast Iron Mantel,  
matt black



4301 William IV Cast Iron Mantel,  
matt black



4301 William IV Cast Iron Mantel. Also shown: 4248 Adelaide Insert with ashpan cover, matt black. 4323 Fire dog, highlight polished. 4332-4335 Hexagon top tool set. 4138 Brass tile frame. 4257 Polished slate hearth tiles.





4750 Victorian Cast Iron Mantel, matt black. Also shown: 4092 Horseshoe Insert, matt black with ashpan cover.



4297 Georgian Cast Iron Mantel, fully polished. Also shown: 4250 Adelaide Insert with ashpan cover, fully polished.

# CAST IRON MANTELS

---

Timeless elegance was very much the hallmark of the Georgian era and this superb reproduction cast iron mantel from Stovax is the epitome of that style. Like the 19<sup>th</sup> Century original, it co-ordinates perfectly with the Regency Hob Grate and Adelaide inserts. Furthermore, it is available in a choice of traditional matt black or fully polished finishes to provide a truly outstanding focal point for your room.



4298 Georgian Cast Iron Mantel,  
matt black



4297 Georgian Cast Iron Mantel,  
fully polished



# STONE MANTELS

Stone has been a traditional mantel material since the medieval times, whilst marble has been used for more than 300 years. It is appropriate, therefore, that Stovax has created a select collection of high-quality limestone and antique white marble designs, each piece truly unique by virtue of the naturally occurring veining, subtle tonal differences and indeed even small fossils that may be found in the limestone. Beautiful and natural features, all of which will enhance the many fireplaces and fire baskets depicted in this brochure.

*Victorian Corbel* 56

*Claremont* 57

*Sandringham* 58

*Georgian Roundel* 59

*Grafton* 60

*Cavendish Bolection* 61





9004VIWM Victorian Corbel, antique white marble mantel. Also shown: 4389 Decorative Arched Insert, matt black.

# STONE MANTELS

---



**9004VIWM** Victorian Corbel, antique white marble mantel.  
Also shown: **4389** Decorative Arched Insert, matt black

Based on authentic period originals, Stovax stone and marble mantels are available in six classic designs. Each is available in either the clean look of antique white marble or the gentle warmth of natural limestone. Both alternatives are elegant, durable and feature hand-finished craftsmanship that provides the highest levels of aesthetic and tactile appeal.





9002CLWM Claremont, limestone mantel. Also shown: 4249 Adelaide Insert, fully polished.



9005SATL Sandringham, limestone mantel. Also shown: 8907 Kensington Insert, polished.

# STONE MANTELS

---



**9001GEWM** Georgian Roundel, antique white marble mantel.

Also shown: **8902** Belgravia Polished Cast Front. **8904** Polished insert and Gazco Winchester Logic Hotbox gas fire.

# STONE MANTELS



9003GRTL Grafton, limestone mantel.

Also shown: 8902 Belgravia polished cast front and Gazco Milan medium basket with ashpan cover.





9000CATL Cavendish Bolection, limestone mantel. Also shown: 8901 Chelsea polished cast front and Montrose fire basket.

“I SAW THE ANGEL IN THE MARBLE AND CARVED UNTIL I SET HIM FREE”  
- MICHAELANGELO



A



B



D



E



A | CLAREMONT  
Limestone & Antique white marble

B | GEORGIAN ROUNDDEL  
Limestone & Antique white marble

C | VICTORIAN CORBEL  
Limestone & Antique white marble

D | GRAFTON  
Limestone & Antique white marble

E | CAVENDISH BOLECTION  
Limestone & Antique white marble

F | SANDRINGHAM  
Limestone & Antique white marble



C



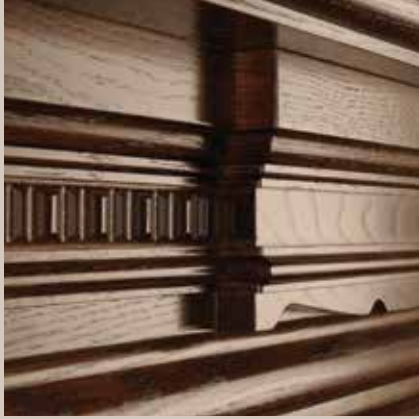
F

		Claremont	Georgian Roundel	Victorian Corbel	Grafton	Cavendish Bolection	Sandringham
Overall Width	ins	61¼	57¾	60	55¾	57½	61
	mm	1555	1460	1525	1415	1460	1550
Height	ins	45	42¼	46	46	52	48
	mm	1143	1082	1170	1165	1320	1220
Shelf Depth	ins	7½	8	9¾	4	8	9
	mm	190	200	250	105	207	227
Leg to leg (outer)	ins	52¾	50¼	54¾	55¼	50	52¾
	mm	1331	1277	1375	1415	1270	1325
Opening (w x h)	ins	36 x 36	36 x 36	36 x 36	36 x 36	36 x 36	36 x 36
	mm	915 x 915	915 x 915	915 x 915	915 x 915	915 x 915	915 x 915
Rebate	ins	1¼	1¼	1¼	1¼	1¼	1¼
	mm	30	30	30	30	30	30
Antique White Marble		9002 CLWM	9001 GEWM	9004 VIWM	9003 GRWM	9000 CAWM	9005 SAWM
Limestone		9002 CLTL	9001 GETL	9004 VITL	9003 GRTL	9000 CATL	9005 SATL

Limestone and Marble are natural materials, therefore each piece will have tonal differences, natural veining and possibly fossil inclusions in the limestone.



4177 Chatsworth waxed antique pine mantel. Also shown: 4264 Gas fire version of Art Nouveau Convector Fireplace in matt black with 10 x 4850 Yellow Iris tiles. For solid fuel version select 4350.



# WOOD MANTELS

---

Stovax has also created a wide choice of wood mantels to complement the many period fireplaces illustrated in this brochure. Most are designed to fit all models but the Chatsworth, with its grand proportions and larger opening, is particularly recommended for use with the Regency Hob Grate and Adelaide inserts.

# “WHAT I DREAM OF IS AN ART OF BALANCE” - HENRI MATISSE

---



SMALL GEORGIAN

Light Oak, Rich Oak, Waxed Oak, Mahogany-stained Utile,  
Lacquered Antique Pine and Waxed Antique Pine



GEORGIAN

White, Light Oak, Rich Oak, Waxed Oak, Mahogany-stained Utile,  
Lacquered Antique Pine and Waxed Antique Pine



REGENCY

Lacquered Antique Pine and Waxed Antique Pine



VICTORIAN

Lacquered Antique Pine and Waxed Antique Pine



## GROSVENOR

Waxed Oak and Dark Cherry



## CHATSWORTH

Rich Oak, Waxed Oak, Mahogany-stained Utile, Lacquered Antique Pine and Waxed Antique Pine



## ADAM

White, Mahogany-stained Utile, Lacquered Antique Pine and Waxed Antique Pine



## CARLTON

Rich Oak, Waxed Oak, Lacquered Antique Pine and Waxed Antique Pine



## PEMBROKE

White, Warm White, Grey, Light Oak, Rich Oak, Waxed Oak, Lacquered Antique Pine and Waxed Antique Pine

# “SIMPLICITY IS THE ULTIMATE SOPHISTICATION”

- LEONARDO DA VINCI



ALBORG

White, Warm White, Rich Oak, Medium Oak, Waxed Oak,  
Oak Veneer and Walnut Veneer



BROMPTON

White, Warm White, Grey, Light Oak, Rich Oak, Waxed Oak, Lacquered Antique  
Pine and Waxed Antique Pine



MALMO

White, Warm White, Oak Veneer and Walnut Veneer



ART DECO

White, Warm White, Oak Veneer and Walnut Veneer



### ARUNDEL

Light Oak, Rich Oak, Medium Oak, Waxed Oak and Walnut Veneer



### HELSINKI

Medium Oak and Walnut Veneer



### COPENHAGEN

Light Oak, Rich Oak, Medium Oak and Waxed Oak



### SMALL ART DECO

White, Warm White



### SMALL KENSINGTON

White, Warm White, Waxed Oak and Lacquered Antique Pine

# WOOD MANTEL FINISHES

Every Stovax mantel utilises high-quality timbers sourced from renewable plantations and each is carefully selected for close, even grains and freedom from blemishes. The timber is also thoroughly kiln dried to prevent it warping or cracking in the widely varying temperatures around the fireplace.

Manufacture of each individual mantel is undertaken by skilled craftsmen, ensuring timber colours are evenly matched and that every mantel is an individual piece of workmanship – a point of particular attraction in an age of mass-produced conformity. Where you specify a stain finish, these are designed to enhance the character of the wood grain to the full. The result is a fine piece of furniture that will grace the most elegant of rooms.

	Overall Width		Height		Shelf Depth		Opening (w x h)		Rebate	
	ins	mm	ins	mm	ins	mm	ins	mm	ins	mm
Adam	53	1345	45½	1165	8	203	36 x 36	915 x 915	1 or 3	25 or 75
Alborg	49½	1258	40½	1030	6	152	31¼ x 30¼	809 x 770	1 or 3	25 or 75
Art Deco	52	1320	40	1016	5½	150	32 x 30	812 x 762	1 or 3	25 or 75
Arundel	53½	1360	45½	1145	7½	200	30½ x 36	785 x 915	1 or 3	25 or 75
Brompton	53½	1360	45	1143	7½	190	36 x 36	915 x 915	1 or 3	25 or 75
Carlton	58	1475	48¼	1225	8½	206	36¼ x 36	920 x 915	1 or 3	25 or 75
Chatsworth	56	1420	47½	1215	8½	225	37 x 37½	940 x 950	1 or 3	25 or 75
Copenhagen	54	1370	43¼	1099	8	203	35 x 35	890 x 890	1 or 3	25 or 75
Georgian	54	1370	44½	1135	8	203	36 x 36	915 x 915	1 or 3	25 or 75
Grosvenor	58½	1480	47¼	1215	8½	216	36 x 35	915 x 890	1 or 3	25 or 75
Helsinki	54	1370	44½	1130	6½	165	31¼ x 33¼	794 x 845	3	75
Malmö	54	1370	45½	1155	8	203	38 x 37	965 x 940	1 or 3	25 or 75
Pembroke	54	1370	48	1220	8	203	36 x 36	915 x 915	1 or 3	25 or 75
Regency	54	1370	46	1170	9½	241	36 x 36	915 x 915	1 or 3	25 or 75
Small Art Deco	47¼	1200	37½	952	4"	100	31 x 29½	790 x 745	3	75
Small Georgian	48	1220	43½	1095	8	203	30 x 34½	760 x 877	1 or 3	25 or 75
Small Kensington	46	1170	43½	1095	6	152	30½ x 32½	770 x 835	1 or 3	25 or 75
Victorian	55	1400	44¼	1125	9½	238	36 x 36	915 x 915	1 or 3	25 or 75

	White*	Warm White*	Grey*	Light Oak	Rich Oak	Medium Oak	Waxed Oak	Mahogany Stained Utile	Dark Cherry	Lacquered Antique Pine	Waxed Antique Pine	Oak Veneer*	Walnut Veneer*
Adam	4194	-	-	-	-	-	-	4594	-	4193AP	4193WP	-	-
Alborg	3574W	3574WW	-	-	3574K	3574MK	3574WK	-	-	-	-	3574VK	3574VW
Art Deco	3560W	3560WW	-	-	-	-	-	-	-	-	-	3560VK	3560VW
Arundel	-	-	-	3577LK	3577K	3577MK	3577WK	-	-	-	-	-	3577VW
Brompton	3565W	3565WW	3565GY	3565LK	3565K	-	3565WK	-	-	3565AP	3565WP	-	-
Carlton	-	-	-	-	4786	-	4786WK	-	-	4786AP	4786WP	-	-
Chatsworth	-	-	-	-	4177K	-	4177WK	4593	-	4177AP	4177WP	-	-
Copenhagen	-	-	-	3572LK	3572K	3572MK	3572WK	-	-	-	-	-	-
Georgian	4270	-	-	4043LK	4043K	-	4043WK	4591	-	4043AP	4043WP	-	-
Grosvenor	-	-	-	-	-	-	4785WK	-	4785	-	-	-	-
Helsinki	-	-	-	-	-	-	-	-	-	-	-	3563MK	3563VW
Malmö	3561W	3561WW	-	-	-	-	-	-	-	-	-	3561VK	3561VW
Pembroke	3567W	3567WW	3567GY	3567LK	3567K	-	3567WK	-	-	3567AP	3567WP	-	-
Regency	-	-	-	-	-	-	-	-	-	4169	4169WP	-	-
Small Art Deco	3564W	3564WW	-	-	-	-	-	-	-	-	-	-	-
Small Georgian	-	-	-	3500LK	3500K	-	3500WK	3500M	-	3500AP	3500WP	-	-
Small Kensington	3501W	3501WW	-	-	-	-	3501WK	-	-	3501AP	-	-	-
Victorian	-	-	-	-	-	-	-	-	-	4191AP	4191WP	-	-

NB: Colours on the table are for illustrative purposes only. Your Stovax retailer will be able to show you actual samples, but please remember these may vary slightly due to the hand-made manufacture and finishing of the mantels.

\* For a smoother finish, these versions are manufactured in MDF.

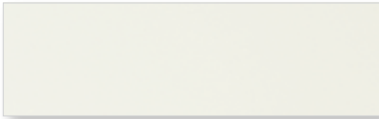


WHITE



Made from MDF, primed in White & finished with a second coat of satin White Lacquer.

WARM WHITE



Made from MDF, white primed & smoothly finished with a second coat of satin Warm White Lacquer.

GREY



Made from MDF, primed in White & finished with a second coat of satin Grey Lacquer.

WAXED OAK



A traditional American hard wood kiln-dried to expose its natural beauty and finished with a wax to enhance the grain.

LIGHT OAK



A lighter American hard wood kiln-dried to expose its natural beauty and finished with three coats of satin sheen lacquer.

MAHOGANY STAINED UTILE



An evenly grained hardwood stained with a rich Mahogany colour and finished with a satin sheen lacquer.

LACQUERED ANTIQUE PINE



Canadian pine coated with a warm antique stain. Finished with three coats of lacquer to give an antique appearance.

RICH OAK



North American White Oak, a traditional hardwood, supplied with a light yet rich stain to enhance the natural grain.

DARK CHERRY



A red/brown hardwood with a linear grain. Lacquered to deepen & protect the natural colour with a satin sheen.

OAK VENEER



High-quality oak veneer on a MDF base. Finished with a satin sheen lacquer to bring out the beauty of the Oak.

MEDIUM OAK



A rustic American hard wood kiln-dried to expose its natural beauty and finished with three coats of lacquer.

WAXED ANTIQUE PINE



Canadian pine coated with a warm antique stain and finished with a matt wax to give a traditional finish.

WALNUT VENEER



An American Black Walnut veneered onto an MDF base & elegantly hand finished with a permanent satin sheen.



3567GY Pembroke wood mantel in Grey.  
Also shown: Huntingdon 30 Multi-fuel stove with clear door burning logs.



# FIREPLACE TILES

Choose from authentically-crafted tube-lined tiles with highly translucent glazes or colourful decorated tiles that faithfully reflect the charm and style of the Victorian fireplace.

# TUBE-LINED AND RAISED LINE TILES

Tube-lining is a method of decorating glazed items developed in the late 19<sup>th</sup> Century and used extensively during the Arts & Crafts and Art Nouveau periods.

It requires a high degree of skill, as the outline of each design is piped by hand onto each individual piece. Different coloured translucent glazes are then applied – again by hand – to the separate areas of the design to create exquisite works of art. With the exception of the Rose and Bud 5-tile set, all tiles on this page are produced in precisely this way.

A variant of this process, developed around the same time, was raised line decoration. Here, the outline was embossed onto the body of the tile before the coloured glazes were applied. The Stovax Rose and Bud tile panel is a faithful reproduction of this style using modern techniques.

Owing to the high cost of producing these hand-decorated tiles, they are not part of the ‘inclusive price’ of Stovax tiled cast iron fireplaces but they can be specified for a supplementary charge.



4852 Evening Primrose  
(Green background)



4929 English Rose  
(Burgundy background)



4930 Rhododendron  
(Brown background)



4853 Rose and Bud  
(Victorian Cream background)



4850 Yellow Iris  
(Brown background)



4851 Water Plantain  
(Victorian Cream background)



4920 Yellow Poppy  
(Green background)



4921 Purple Flag  
(Green background)



4922 Belleflower  
(Victorian Cream background)



4923 Yellow Tea Rose  
(Brown background)



4924 Tulips  
(Green background)



4925 Red Roses  
(Victorian Cream background)



4926 Blue Peonies  
(Brown background)



4927 Chrysanthemum  
(Burgundy background)



4928 Yellow Foxglove  
(Burgundy background)

# DECORATED TILES – SINGLES, HEARTH & SETS

## SINGLES

Faithfully reproduced from Victorian originals, Stovax fireplace tiles are ideal for use in both antique and reproduction cast iron tiled fireplaces. Set against a rich cream glaze, the decoration uses up to 18 separate colours in each design to make the tiles indistinguishable from hand-coloured originals. Unless stated otherwise, Stovax tiles measure 6" x 6" x 3/8" (152 x 152 x 9mm)\*, the edges are virtually square, so that the tiles can be laid hard up against each other without the need for grout.



4059 Poppies,  
floral border



4060 Poppies,  
scroll border



4061 Symmetrical  
floral pattern



4062 Sweetbriar



4271 Blue Poppies,  
floral border



4272 Symmetrical  
Classical pattern



4063 Apple Blossom



4073 Peony



4074 Windflower



4287 Plant & Urn



4288 Poppy &  
Wheatshaf



4273 Symmetrical  
Classical pattern,  
quarter tile

## HEARTH TILES

All hearth tiles 6" x 6" x 3/8" (152 x 152 x 9mm) in size and feature traditional edges that are virtually square for neat butt-jointing. Additionally, border tiles are available in RE (round edges) versions and corner tiles in REX (two adjacent round edges) versions for use with raised hearths.

### Plant & Urn – matches 4057 5-tile set:



4085 Corner  
4882 REX



4083 Floral border  
(Poppy left)  
4883 RE



4084 Floral border  
(Poppy right)  
4884 RE



4082 Corner  
4879 REX

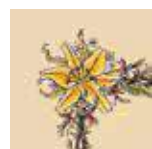


4080 Wheatshaf  
border 4880 RE



4081 Floral border  
4881 RE

### Lilac & Fuchsia – matches 4401 5-tile set:



4398 Corner



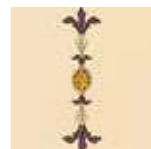
4396 Border (1)



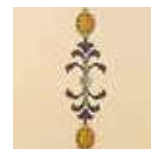
4397 Border (2)



4407 Corner  
4885 REX



4408 Border (1)  
4886 RE



4409 Border (2)  
4887 RE

### Cameo Carousel – matches 4277, 4278 and 4279 5-tile sets:

### Birds & Butterfly – matches 4369 and 4370 5-tile sets:



4487 Corner(1)  
4875 REX



4488 Corner (2)  
4876 REX



4489 Border (1)  
4877 RE

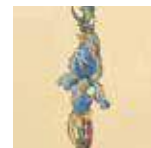


4490 Border (2)  
4878 RE

### Blue Iris – matches 4597 5-tile set



4856 Corner  
4897 REX



4854 Border  
4898 RE

# SETS



4779 Plant & Urn 2-tile set



4780 Poppy & Wheat sheaf 2-tile set



4275 Fruit Bowl 2-tile set



4274 Hanging Basket 2-tile set



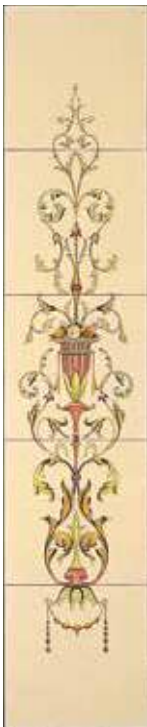
4057 Plant & Urn 5-tile set



4058 Poppy & Wheat sheaf 5-tile set



4276 Hanging Basket 8-tile set



4277 Urn Cascade 5-tile set



4278 Cameo Carousel 5-tile set, nymph with harp



4279 Cameo Carousel 5-tile set, nymph with scarf



4369 Birds & Butterfly 5-tile set



4370 Birds & Rushes 5-tile set



4597 Blue Iris 5-tile set

Owing to variations in studio lighting and printing inks, the tile colours shown on these pages may differ slightly from those of the actual tiles. Like the Victorian originals, Stovax glazed fireplace tiles may craze with the passage of time, and no guarantee can be given against this. Indeed, this feature can be regarded as part of their charm.

# DECORATED TILES – ALPHONSE MUCHA

## 5-TILE SETS

Alphonse Mucha (1860-1939) achieved his fame as a leading artist of the *Art Nouveau* movement in Paris, specializing in portraits of elegant young women enhanced with delicate floral motifs. To complement our superb Art Deco fireplaces, we have selected three such portraits and recreated them as ceramic tile panels, with matching floral tiles at the top and bottom, the latter also being available singly.



4475 Evening  
Reverie, left



4474 Evening  
Reverie, right



4476 Nocturnal  
Slumber, left



4477 Nocturnal  
Slumber, right

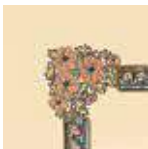


4478 Spring, left



4479 Spring, right

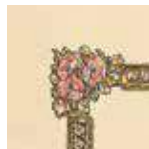
**Evening Reverie –**  
matches 4474 and 4475 5-tile sets:



4480 Corner  
4893 REX



4481 Border  
4894 RE



4482 Corner  
4895 REX



4483 Border  
4896 RE



4484 Corner (1)  
4888 REX



4486 Border  
4890 REX



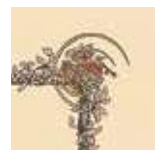
4491 Evening Reverie,  
single floral tile



4492 Nocturnal Slumber,  
single floral tile



4493 Spring,  
single floral tile



4485 Corner (2)  
4889 REX

**Nocturnal Slumber –**  
matches 4476 and 4477 5-tile sets:

**Spring – matches 4478 and 4479 5-tile sets:**

# PLAIN HEARTH TILES

## GLAZED TILES



Available in three sizes and seven authentic Victorian colours, Stovax offer a choice of stunningly reflective hearth tiles with highly translucent glazes. These are ideal for use in front of gas or electric fires but, as the glaze can be scratched by fire tools, coal scuttles etc, care is required where they are specified for use near coal or wood fires. No guarantee can be given against scratching.

<b>Victorian Cream</b>	<b>Light Brown</b>	<b>Dark Brown</b>	<b>Gloss Black</b>
			
4075 Single 4863 RE 4864 REX 4076 Half 4077 Quarter	4078 Single 4865 RE 4866 REX 4064 Half 4066 Quarter	4079 Single 4867 RE 4868 REX 4065 Half 4067 Quarter	3975 Single 3978 RE 3979 REX 3976 Half 3977 Quarter
<b>Blue</b>	<b>Burgundy</b>	<b>Green*</b>	<b>Satin Black</b>
			
4281 Single 4871 RE 4872 REX 4282 Half 4283 Quarter	4371 Single 4873 RE 4874 REX 4372 Half 4373 Quarter	4284 Single 4869 RE 4870 REX 4285 Half 4286 Quarter	3970 Single 3973 RE 3974 REX 3971 Half 3972 Quarter

\* IMPORTANT: Green glazed tiles have a copper based glaze which can discolour when exposed to acids. In particular, soot washed down a chimney can have this effect.

## RIVEN SLATE TILES

Slate is very much a traditional hearth material. Stovax's Riven 8" x 4" (203 x 102mm) Welsh slate tiles are hand split along the natural fault lines of the slate to produce a rustic look and reveal the natural blue, green and grey tints of the stone. Being fashioned in this way, the thickness varies from tile to tile but the average is 1/4" (6mm).



4095 Box of 20 Riven Slate Tiles.

## UNGLAZED TILES



Unglazed, natural clay tiles are a practical and attractive alternative, particularly for solid fuel fires, as they are relatively robust and scratch-resistant. Also, because there is no surface glaze, the colour runs right through the tiles, so any minor scratches can be easily rubbed away with sandpaper.

			
6106 Red	6206 Buff	6306 Black	6406 White
			
6506 Brown	6606 Blue	6706 Green	6806 Grey

## POLISHED SLATE TILES

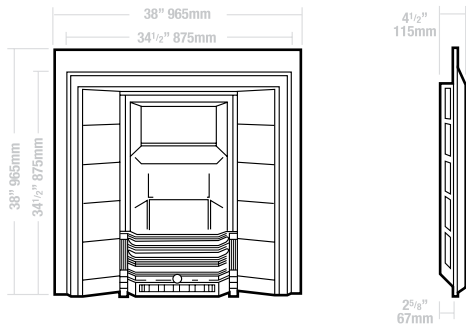
Machine cut to a uniform size, with one side polished, these are a more sophisticated alternative to the Riven type. Their colour is deep blue-black, and the polished surface can provide an attractive, reflective effect. The size of these tiles is 8" x 4" x 3/8" (203 x 102 x 9mm).



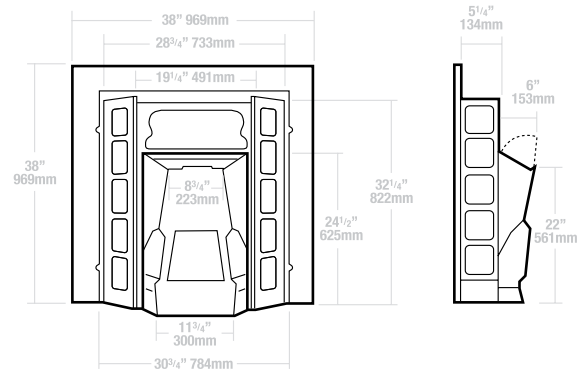
4257 Box of 20 Polished Slate Tiles.

# FIREPLACE DIMENSIONS

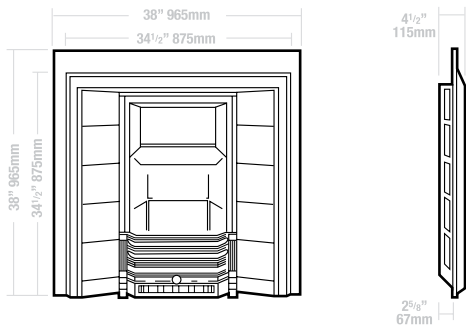
Victorian tiled convectors (pages 8-9)



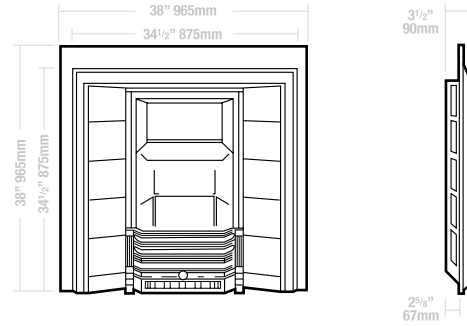
Victorian tiled inserts (pages 10-11)



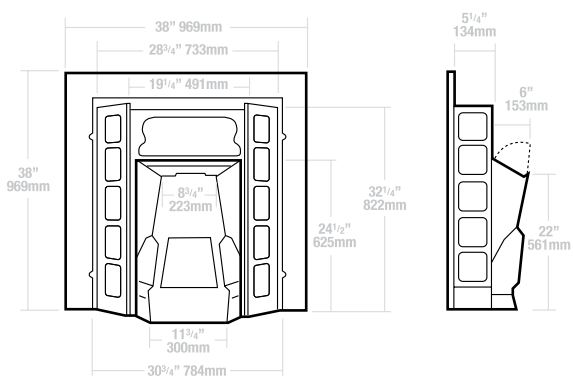
Victorian tiled fronts (pages 12-13)



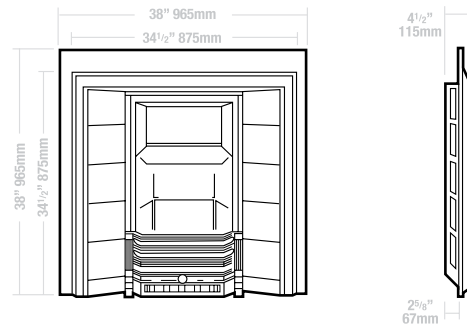
Art Nouveau tiled convectors (pages 14-15)



Art Nouveau tiled inserts (pages 16-17)

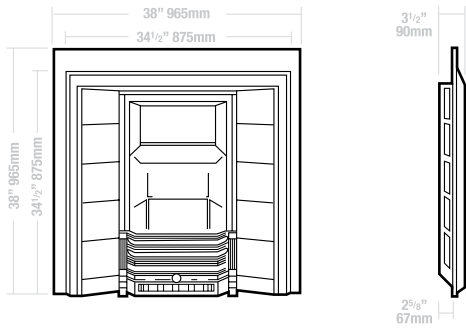


Art Nouveau tiled fronts (pages 18-19)

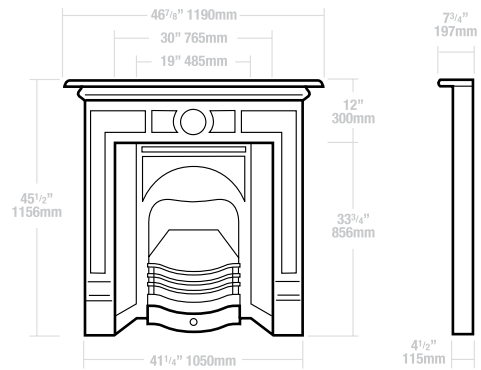




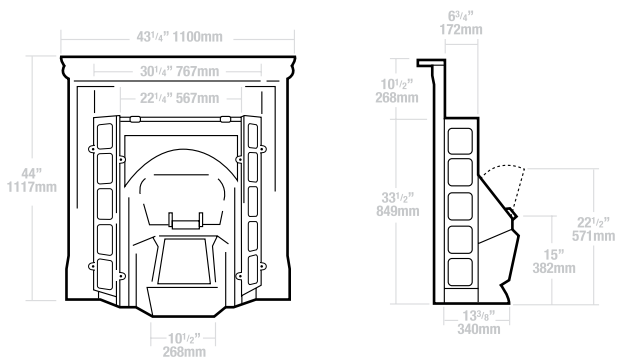
Poppy and Wheatsheaf tiled fronts (pages 20-21)



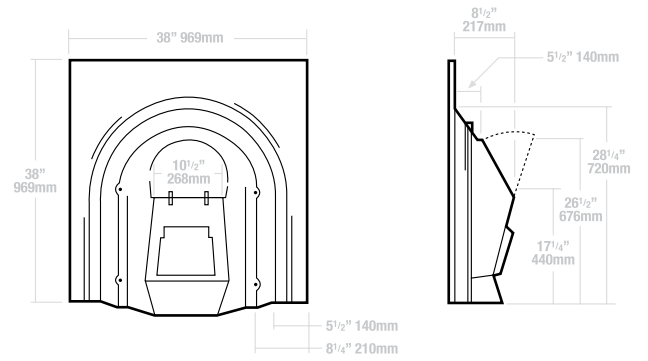
Combination convectors (pages 22-23)



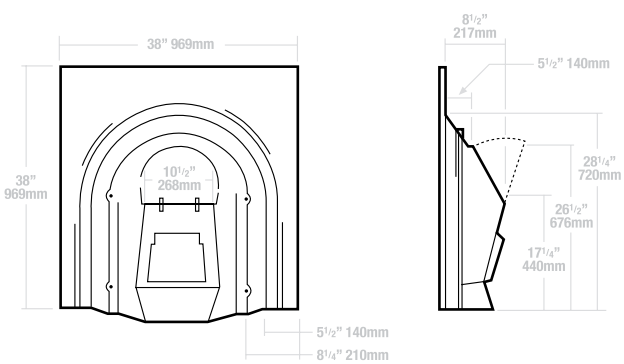
Combination tiled inserts (pages 24-25)



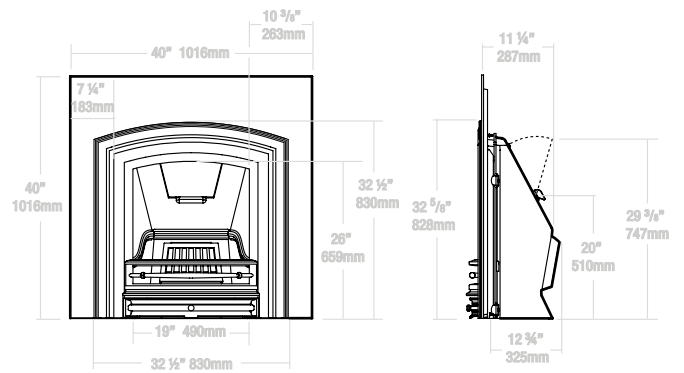
Classical arched inserts (pages 26-27)



Decorative Arched inserts (pages 28-31)

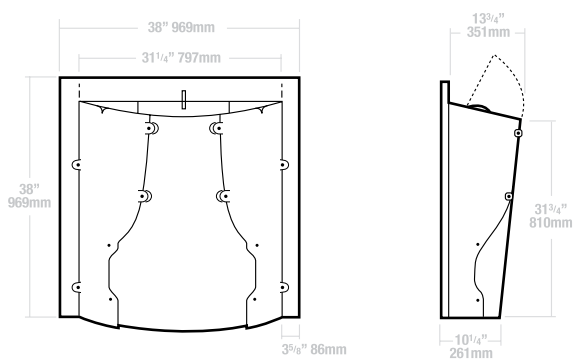


Alexandra inserts (pages 32-33)

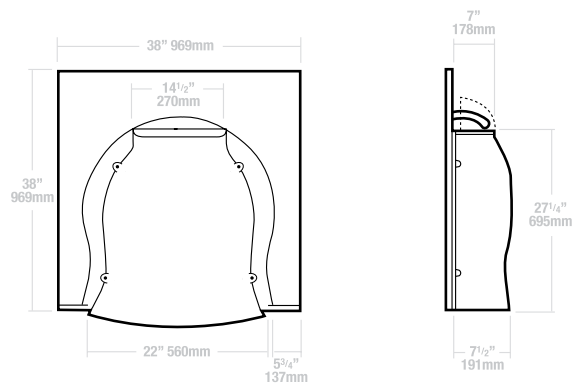


# FIREPLACE DIMENSIONS

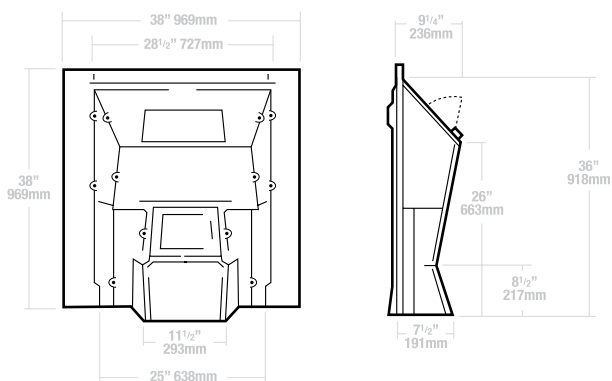
Adelaide inserts (pages 34-35)



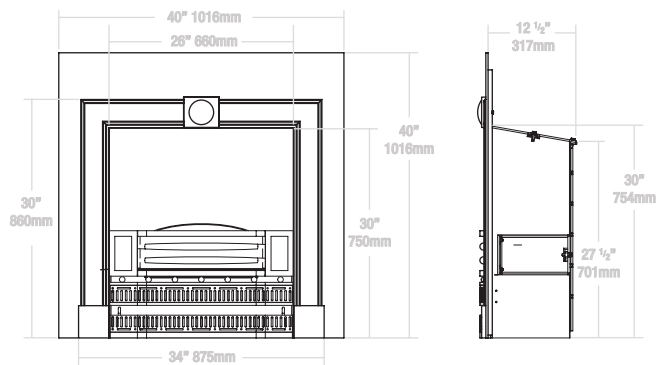
Horseshoe inserts (pages 36-37)



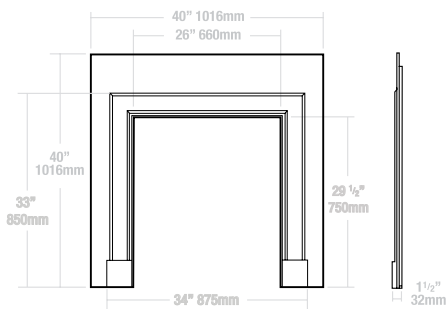
Regency Hob Grate inserts (pages 38-39)



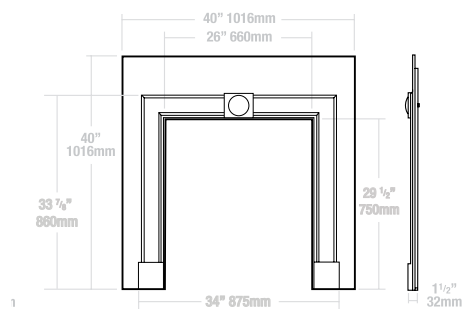
Kensington & Knightsbridge inserts (pages 40-41)



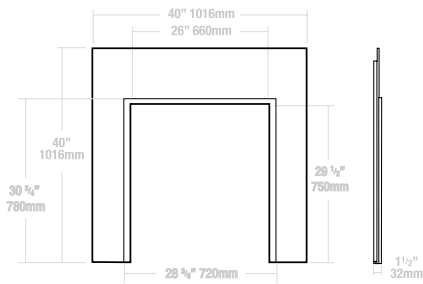
Belgravia Cast fronts (pages 45, 46, 48 & 49)



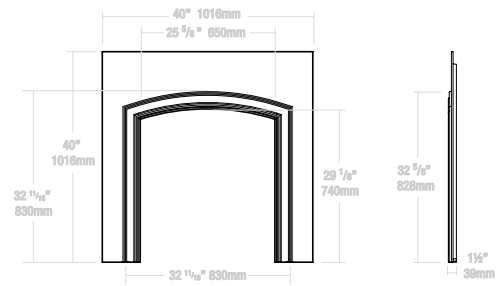
Burlington Cast fronts (pages 47 & 49)



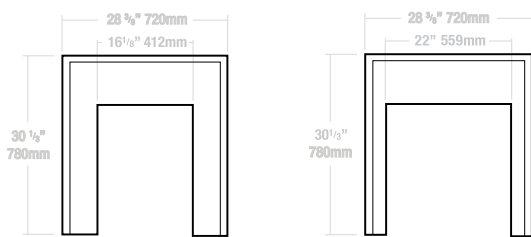
Chelsea Cast fronts (page 43)



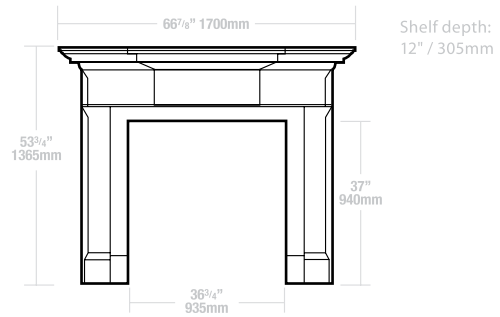
Berkeley Cast fronts (page 49)



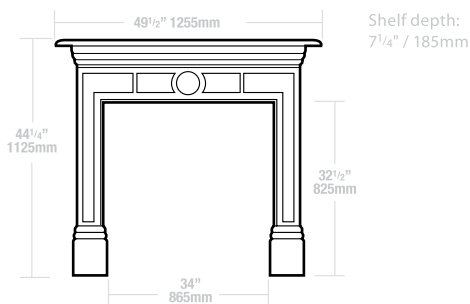
London Cast Insert Panels (page 49)



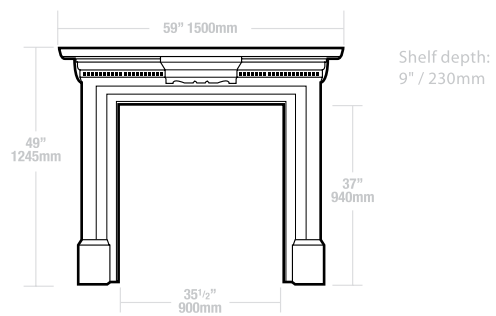
William IV Cast mantel (page 52)



Victorian Cast mantel (page 53)



Georgian Cast mantel (page 51 & 54)



# FIREPLACE PRODUCT CODES AND OPTIONS

## TILED CONVECTORS

Fireplaces					Options				
Matt black	Matt black with brass hood	Highlight polished	Highlight polished with brass hood	Fully polished	Woodburning tray	Gazco convector gas fires (Natural gas/LPG)*			
						VFC (Class 1 chimneys only)	VFC RD (Class 1 chimneys only)	Logic (Class 1 & Class 2 chimneys)	
Victorian convector for solid fuel								Manual	Remote Control
4348	–	4349	–	4354	8602	–	–	–	–
Victorian convector for gas fire: <b>Natural Gas</b>									
4262	–	4263	–	4355	–	8420UC	8421UC	101-295	101-349
Victorian convector for gas fire: <b>LPG</b>									
4262	–	4263	–	4355	–	P8420UC	P8421UC	101-418	101-528
Art Nouveau convector for solid fuel									
4350	4664	4351	4665	4352	8602	–	–	–	–
Art Nouveau convector for gas fire: <b>Natural Gas</b>									
4264	–	4265	–	4353	–	8420UC	8421UC	101-295	101-349
Art Nouveau convector for gas fire: <b>LPG</b>									
4264	–	4265	–	4353	–	P8420UC	P8421UC	101-418	101-528
Combination convector for gas fire: <b>Natural Gas</b>									
4362	–	4363	–	–	–	8420UC	8421UC	101-295	101-349
Combination convector for gas fire: <b>LPG</b>									
4362	–	4363	–	–	–	P8420UC	P8421UC	101-418	101-528

\* Important notes

1. VFC RD (reduced draught) and Logic models do not require additional room ventilation. 2. All VFC models are supplied as manual control but can be upgraded for use with Gazco Command remote control with optional kit 8455. 3. For no chimney situations a VFC + Powered Flue Kit will be required.

Please ask your retailer for details.

## TILED INSERTS

Fireplaces					Options			
Matt black	Matt black with brass hood	Highlight polished	Highlight polished with brass hood	Fully Polished	Ashpan	16" Milner fire grate	Gazco gas fire* (Natural gas)	Gazco gas fire* (LPG)
Victorian with Floral hood								
4044	–	4045	–	4356	4405	–	8000MCUC	P8000MCUC
Victorian with Classical hood								
4260	4561	4261	4563	–	4405	–	8000MCUC	P8000MCUC
Victorian with Tiled hood								
4268	–	4269	–	–	4405	–	8000MCUC	P8000MCUC
Art Nouveau for solid fuel								
4161	4902	4162	4903	–	4395	–	–	–
Art Nouveau for gas fire								
4159	4900	4160	4901	–	4395	–	8102MCUC	P8102MCUC
Combination								
4359	–	4360	–	–	4385	–	8062MCUC	P8062MCUC

\* Important notes

1. All gas fires are supplied as manual control but can be upgraded for use with a Gazco Command remote control with optional kit 8455.

## KENSINGTON & KNIGHTSBRIDGE INSERTS

Fireplaces		Options					
Matt Black	Fully Polished	Ashpan	Firebrick	Gazco coal effect gas fire* (Natural gas)	Gazco coal effect gas fire* (LPG)	Gazco log effect gas fire* (Natural gas)	Gazco log effect gas fire* (LPG)
Kensington							
8907BLK	8907	MEC8149	CE7409	8023MCUC	P8023MCUC	8023LUC	P8023LUC
Knightsbridge							
8906BLK	8906	MEC8149	CE7409	8023MCUC	P8023MCUC	8023LUC	P8023LUC

\* Important notes

1. All gas fires are supplied as manual control but can be upgraded for use with a Gazco Command remote control with optional kit 8455.

## TILED FRONTS

Fireplaces				Options			
Matt black	Matt black with brass hood	Highlight polished	Highlight polished with brass hood	Ashpan	16" Milner fire grate	Gazco gas fire* (Natural gas)	Gazco gas fire* (LPG)
Victorian with Floral hood							
4564	–	4567	–	4406	4368	8210MCUC	P8210MCUC
Victorian with Classical hood							
4565	4571	4568	4573	4406	4368	8210MCUC	P8210MCUC
Victorian with Tiled hood							
4566	–	4569	–	4406	4368	8210MCUC	P8210MCUC
Art Nouveau for solid fuel							
4575	4579	4577	4581	4406	4908	8202MCUC	P8202MCUC
Art Nouveau for gas fire							
4574	4578	4576	4580	4406	4908	8202MCUC	P8202MCUC
Poppy & Wheatseaf							
4223	–	–	–	4342	4220	8300UC	P8300UC

\* Important notes

1. All gas fires are supplied as manual control but can be upgraded for use with a Gazco Command remote control with optional kit 8455.
2. Poppy and Wheatseaf gas fire also available in Reduced Draft versions (8301UC/P8301UC).

## CAST INSERTS

Fireplaces				Options				
Matt black	Highlight polished	Polished	Brass Highlight polished	Ashpan	Ashpan cover (Matt Black)	Ashpan cover (Highlight Polished)	Gazco gas fire* (Natural gas)	Gazco gas fire* (LPG)
Classical Arched with ashpan cover								
4386	4386HP	4387	–	4384	–	–	8064MCUC	P8064MCUC
Decorative Arched with ashpan cover								
4389	4389HP	4390	–	4384	–	–	8064MCUC	P8064MCUC
Alexandra with ashpan cover								
4440	4440HP	4440FP	–	4439	–	–	-	-
Regency Hob Grate								
4112	4253	–	–	4374	4291	4292	8041MCUC	P8041MCUC
Adelaide								
4247	–	4249	–	4384	–	–	8004MCUC	P8004MCUC
Adelaide with ashpan cover								
4248	–	4250	4248BRS	4384	–	–	8004MCUC	P8004MCUC
Horseshoe with ashpan cover								
4092	4219	4258	–	4383	–	–	8002MCUC	P8002MCUC

\* Important notes

1. All gas fires are supplied as manual control but can be upgraded for use with a Gazco Command remote control with optional kit 8455.

## LONDON CAST FRONTS

Fireplaces		Options							
Matt black	Fully polished	16" x 22" cut out panel (Matt black)	16" x 22" cut out panel (Polished)	22" x 22" cut out panel (Matt black)	22" x 22" cut out panel (Polished)	Gazco Convector Gas Fires (Natural gas / LPG)*			
						VFC (Class 1 chimneys only)	VFC RD (Class 1 chimneys only)	Logic Convector (Class 1&2 chimneys only)	Logic Hotbox (Class 1&2 chimneys only)
Burlington									
8903BLK	8903	8904BLK	8904	8905BLK	8905	8420UC/P8420UC	8421UC/P8421UC	101-295 / 101-418 101-349 / 101-528	101-021 / 101-512 101-083 / 101-741
Belgravia									
8902BLK	8902	8904BLK	8904	8905BLK	8905	8420UC/P8420UC	8421UC/P8421UC	101-295 / 101-418 101-349 / 101-528	101-021 / 101-512 101-083 / 101-741
Chelsea									
8901BLK	8901	8904BLK	8904	8905BLK	8905	8420UC/P8420UC	8421UC/P8421UC	101-295 / 101-418 101-349 / 101-528	101-021 / 101-512 101-083 / 101-741
Berkeley									
8908BLK	8908	8904BLK	8904	8905BLK	8905	n/a	n/a	n/a	n/a

\* Important notes

1. Codes for Gazco convector fires and fronts can be found in Gazco's Inset Fires brochure, please speak to your retailer or visit [www.gazco.com](http://www.gazco.com) for full selection and details.
2. Gazco convector fires are only suitable for the 16" x 22" cut out panels.
3. VFC RD (reduced draught) and Logic models do not require additional room ventilation.
4. All VFC models are supplied as manual control but can be upgraded for use with Gazco Command remote control with optional kit 8455.
5. For no chimney situations a VFC + Powered Flue will be required.

# ALSO AVAILABLE

FROM THE STOVAX GROUP



## STOVAX WOODBURNING & MULTI-FUEL STOVES

---



Relax in the irresistible ambience that a real woodburning stove creates. Stovax stoves offer a wide range of expertly crafted designs from contemporary to traditional, giving you the flexibility required for modern day living. Synonymous with quality and efficiency these extraordinary stoves will really make a statement that friends and family will warm to instantly. To view or download a copy of the Stovax Stoves brochure, please visit [www.stovax.com](http://www.stovax.com) or speak to your local retailer for full details.

## GAZCO INSET GAS FIRES, CLASSIC FIREPLACES & FIRE BASKETS

---



Designed to warm the very heart of your home, there is nothing like the ambience created by a Gazco Inset fire. Choose from either hearth or wall mounted gas fires utilising advanced technology to create a wonderful flame picture, impressive performance and high efficiency heating when you opt for one of Gazco's E-Box™, E-Studio™ and Logic™ HE fires. Gazco also offer several gas fire baskets and gas fires that are designed to fit many of the Inset Fireplaces shown in this brochure. For more information visit [www.gazco.com](http://www.gazco.com) to view and download the brochure.

## GAZCO GAS & ELECTRIC STOVES

---



Nothing creates an inviting atmosphere quite like a Gazco stove. Whether you want to achieve a minimalist, contemporary look, or have your heart set on a more traditional stove, with models available as either gas or electric fuel types this brochure will help you make the perfect choice whatever your style or budget. For more information speak to your local retailer or visit [www.gazco.com](http://www.gazco.com) to view and download the brochure.

## STOVAX FIREPLACE, STOVE & HEARTH ACCESSORIES

---



To help you get the best performance from your stove or fireplace and keep it in good condition, inside and out, Stovax offers a wide range of cleaning and maintenance products. Stovax also supplies a wide variety of fireplace accessories. Included in the brochure is an outstanding selection of fireplace and stove tools, expertly crafted with a variety of styling options and available in wrought iron, black, brass and chrome finishes. Your local retailer will be able to give you full details or you may view the complete range at [www.stovax.com](http://www.stovax.com)

## YEOMAN WOOD, MULTI-FUEL, GAS & ELECTRIC STOVES & FIRES

---



From its humble origins over 25 years ago on a farm near Dartmoor, renowned for its cold winters, Yeoman has grown to become one of the UK's leading stove manufacturers. Today, Yeoman offers a wide selection of contemporary and traditionally-styled woodburning, multi-fuel, gas and electric stoves and fires, including high-output boiler stoves for a complete home heating solution. To receive a copy of the Yeoman brochure, please visit [www.yeomanstoves.co.uk](http://www.yeomanstoves.co.uk) or speak to your expert retailer for more details.

Stovax gratefully acknowledge the assistance of the following companies with furnishings, paintings and ornaments for photographic settings:

Beach Bros: [www.beachbros.co.uk](http://www.beachbros.co.uk) • Debenhams: [www.debenhams.com](http://www.debenhams.com) • Dingles: [www.houseoffraser.co.uk](http://www.houseoffraser.co.uk) • Easyart: [www.easyart.com](http://www.easyart.com) • Eclectique: [www.eclectique.co.uk](http://www.eclectique.co.uk)  
Fagins: [www.faginsantiques.com](http://www.faginsantiques.com) • Furniture Village: [www.furniturevillage.co.uk](http://www.furniturevillage.co.uk) • Gazco Limited: [www.gazco.com](http://www.gazco.com) • Jane Strickland & Daughters: [www.janestricklandanddaughters.co.uk](http://www.janestricklandanddaughters.co.uk)  
Laura Ashley: [www.lauraashley.com](http://www.lauraashley.com) • Merchant House Antiques: [www.merchanthouseantiques.co.uk](http://www.merchanthouseantiques.co.uk) • Orange Tree: [www.theorangetree.co.uk](http://www.theorangetree.co.uk) • Orchid Furniture: [www.orchidfurniture.co.uk](http://www.orchidfurniture.co.uk)  
Original Style: [www.originalstyle.com](http://www.originalstyle.com) • Pilgrim Antiques: [www.pilgrimantiques.co.uk](http://www.pilgrimantiques.co.uk) • The Odd Chair Company: [www.theoddchaircompany.com](http://www.theoddchaircompany.com)  
Topsham Quay Antiques Centre: [www.quayantiques.com](http://www.quayantiques.com)



# STOVAX

*Fire Your Imagination*

**Stovax Limited**, Falcon Road,  
Sowton Industrial Estate, Exeter,  
Devon, England EX2 7LF

**Trade Sales:** 01392 474000  
**Export Sales:** 00 44 1392 261990  
**Other Depts:** 01392 474011  
**Fax:** 01392 219932  
**Email:** [info@stovax.com](mailto:info@stovax.com)  
**www.stovax.com**



To view & download our complete  
range of brochures, simply scan this  
code or visit [www.stovax.com](http://www.stovax.com)

Distributed by:

£3.00

